

MCS POWER SUPPLY 1-PHASE,

IN: 90-265VAC OUT: 20-30V/2,5ADC

INPUT: 90...265 V AC
 OUTPUT: 20...30 V DC
 Current: 2.5 A

[Link to Product](#)**Illustration**

Product may differ from Image

Approvals**Input**

| | |
|---------------------------|------------------------------------|
| Input voltage | 90...265 V AC/110...300 V DC |
| Input current | 1.1 A (115 V AC); 0.5 A (230 V AC) |
| Inrush current after 1 ms | max. 22 A |
| Primary fusing external | max. 10 A |
| Frequency | 50...60 Hz |

Output

| | |
|-----------------------------|--|
| Output voltage | 24 V DC (SELV), $\pm 1\%$; 20...30 V adjustable |
| Output current | 2.5 A (+60 °C); 3 A (+50 °C) |
| Mains failure bridging time | min. 10 ms (115 V AC); min. 70 ms (230 V AC) |
| Ripple | max. 20 mV eff/rms |
| Spikes | max. 100 mV ss/pp |
| Unit protection | short-circuit and overload protected |
| LED display | LED (green) for output voltage |
| Parallel usage/serial usage | no/yes (max. 2 units) |

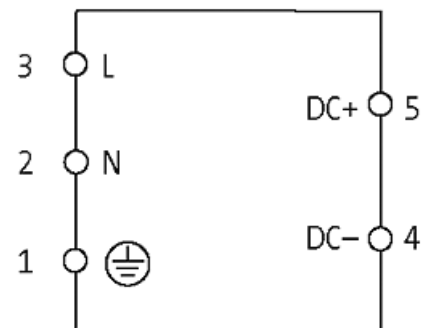
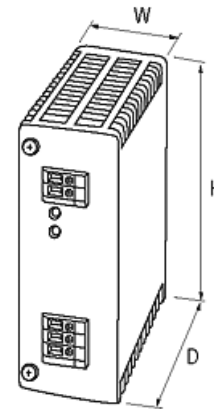
General data

| | |
|-----------------|--|
| Standards | EN 60950-1, EN 61204-3, EN 55022 B, EN 61000-3-2 |
| Mounting method | DIN-rail mountable TH35 (EN 60715) |

| | |
|-------------------|---|
| Efficiency | 85% |
| Relative humidity | 5...95%, no condensation |
| Dimensions H×W×D | 107.5×42×97.5 mm |
| Temperature range | 0...+60 °C (storage temperature -25...+85 °C) |

Commercial data

| | |
|-----------------------|---------------|
| country of origin | CZ |
| customs tariff number | 85044090 |
| EAN | 4048879080644 |
| eClass | 27049002 |
| Packaging unit | 1 |

Sketch

Product may differ from Image